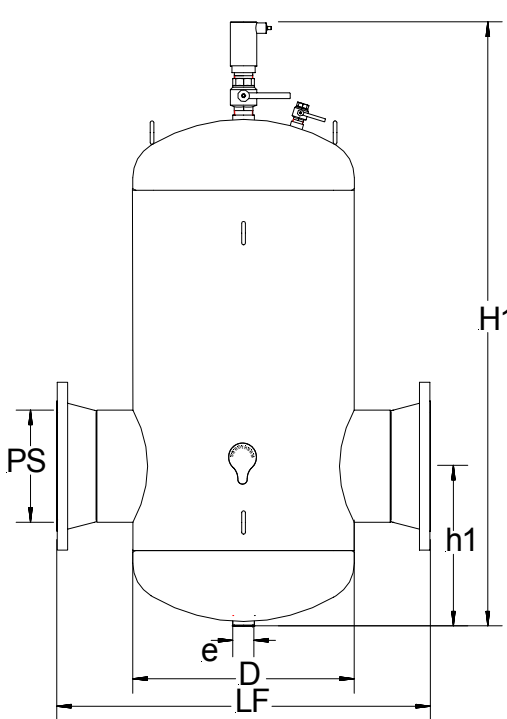


Spirovent® Senior Microbubble™ Eliminator

Job Name:
Engineer:
Contractor:
Representative:

Tag	Model	Flow	Size	Location

	<p>Specifications:</p> <table border="1"> <tr><td>Shell</td><td>Steel</td></tr> <tr><td>Vent Head</td><td>Brass</td></tr> <tr><td>Float</td><td>Non-Ferrous</td></tr> <tr><td>Seal</td><td>Viton</td></tr> <tr><td>O Ring</td><td>Viton</td></tr> <tr><td>Skim Valve</td><td>Brass</td></tr> <tr><td>Coalescing Medium</td><td>Copper</td></tr> <tr><td>Max. Working Pressure</td><td>150 psig</td></tr> <tr><td>Max. Operating Temperature</td><td>270°F</td></tr> </table> <p>Notes:</p>	Shell	Steel	Vent Head	Brass	Float	Non-Ferrous	Seal	Viton	O Ring	Viton	Skim Valve	Brass	Coalescing Medium	Copper	Max. Working Pressure	150 psig	Max. Operating Temperature	270°F
Shell	Steel																		
Vent Head	Brass																		
Float	Non-Ferrous																		
Seal	Viton																		
O Ring	Viton																		
Skim Valve	Brass																		
Coalescing Medium	Copper																		
Max. Working Pressure	150 psig																		
Max. Operating Temperature	270°F																		

PS - Pipe Size	14"	16"	18"	20"	24"	30"	36"
D (inches)	28	32	36	40	48	60.0	72
H1 (inches)	74	82	91	99	116	142	167
h1 (inches)	19	21	24	26	31	39	46
LF (inches)	45	50	56	61.4	72	85.2	102.8
e (inches)	1	1	1	1	1	1	1
Weight (lbs)	990	1340	1750	2650	4140	7050	11190
Rec. Flow (gpm)	1700	2200	2800	3500	5100	8000	11500
Model VSR----FL	1400	1600	1800	2000	2400	3000	3600

(Dimensions for reference only)