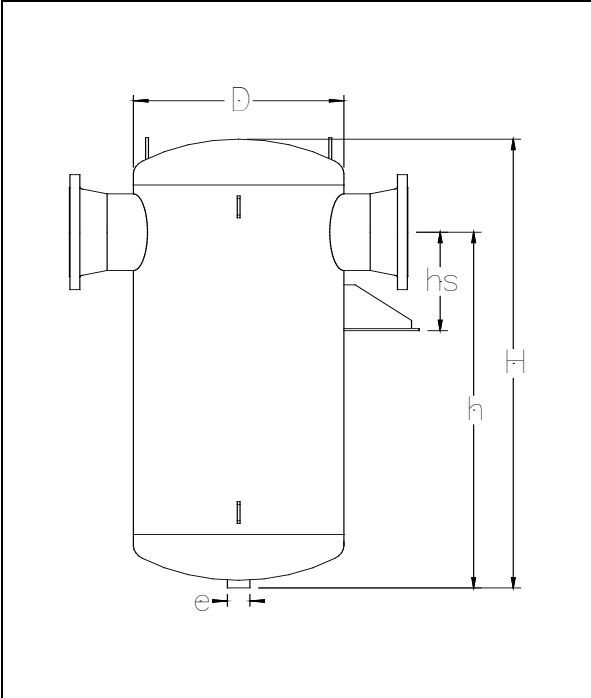


### Spirotrap® Dirt 14", 16", 18", 20" Dirt Separator

Job Name:
Engineer:
Contractor:
Representative:

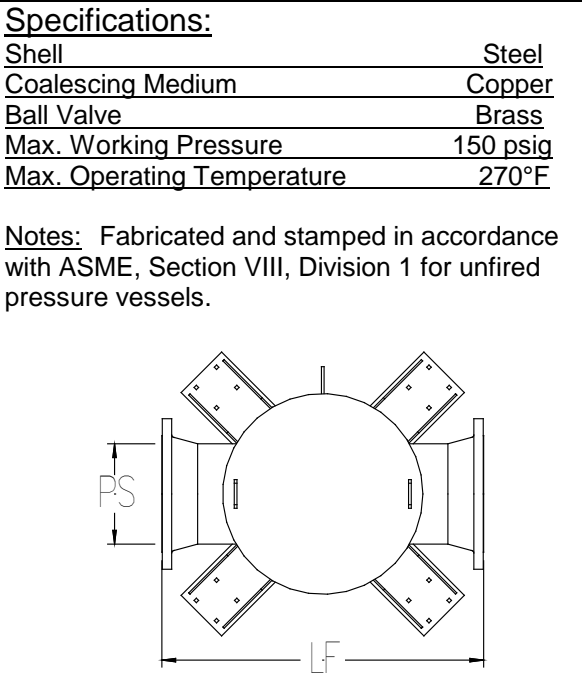
Tag	Model	Flow	Size	Location



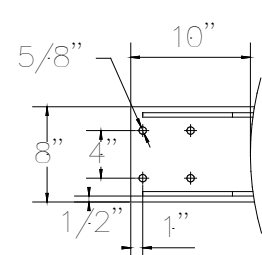
**Specifications:**

Shell	Steel
Coalescing Medium	Copper
Ball Valve	Brass
Max. Working Pressure	150 psig
Max. Operating Temperature	270°F

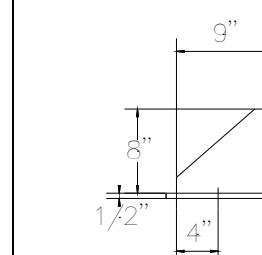
**Notes:** Fabricated and stamped in accordance with ASME, Section VIII, Division 1 for unfired pressure vessels.



PS - Pipe Size	14"	16"	18"	20"
D	28"	32"	36"	40"
H	61"	69"	78"	86"
h	44"	49"	56"	61"
LF	45"	50"	56"	61.4"
hs	20"	22"	22"	26"
e	2"	2"	2"	2"
Weight (lbs)	990	1340	1750	2650
Rec. GPM	2530	3300	4180	5200
Model				
TDT----FA	1400	1600	1800	2000



Bracket Detail



Bracket Detail

Inlet strainer required for open condenser systems and recommended for all systems.