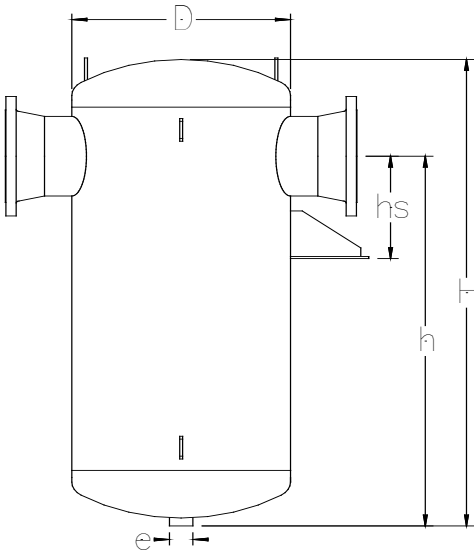


### Spirotrap® Dirt 24", 30", 36" Dirt Separator

Job Name:
Engineer:
Contractor:
Representative:

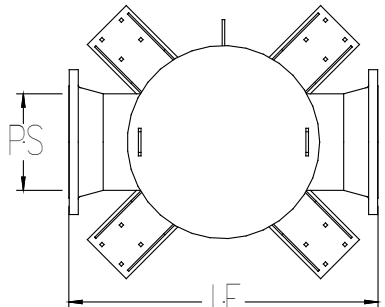
Tag	Model	Flow	Size	Location



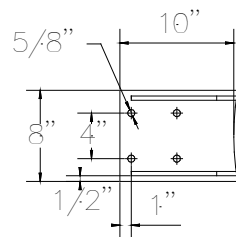
**Specifications:**

Shell	Steel
Coalescing Medium	Copper
Ball Valve	Brass
Max. Working Pressure	150 psig
Max. Operating Temperature	270°F

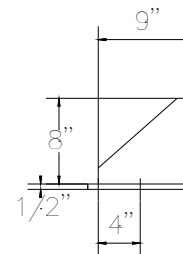
**Notes:** Fabricated and stamped in accordance with ASME, Section VIII, Division 1 for unfired pressure vessels.



PS - Pipe Size	24"	30"	36"
D	48"	60"	72"
H	103"	129"	154"
h	73"	92"	109"
LF	72"	85.2"	102.8"
hs	26"	30"	36"
e	2"	2"	2"
Weight (lbs)	4140	7050	11,190
Rec. GPM	7500	12,100	17,400
Model			
TDT----FA	2400	3000	3600



Bracket Detail



Bracket Detail

Inlet strainer required for open condenser systems and recommended for all systems.