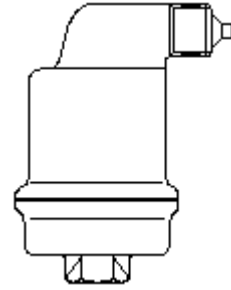


SPIROTHERM®

SPIROTOP® INSTALLATION and OPERATION INSTRUCTIONS *VTP Automatic Air Vent*



This safety alert symbol will be used to draw your attention to safety related instructions. When used, this symbol means **Attention! Your safety is involved! Become Alert!** Failure to follow these instructions could result in a safety hazard!

INSTALLATION INSTRUCTIONS

The Spirotop should be installed at high points in the system: Places where free air may collect, as pictured in Figure 1 below. As with all hydronic system piping it is recommended to have the expansion tank connection to the system on the suction side of the pump or circulator.

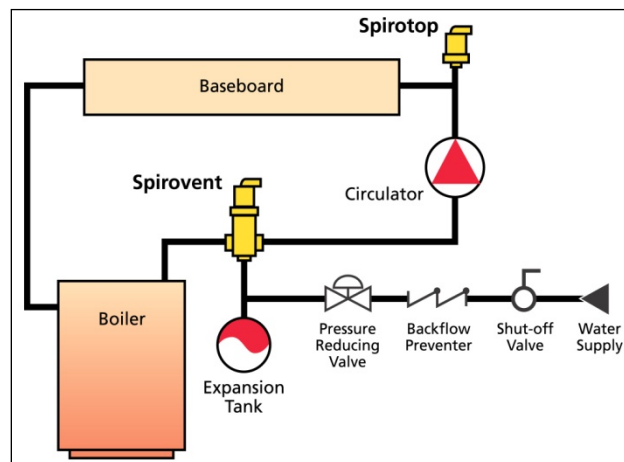



Figure 1 Heating System


The threaded connection at the air vent outlet has been provided as a convenience for those wanting to pressure test the system with air prior to filling. To test, install a ½" pipe cap before filling and remove the cap once testing is complete. **During operation, this threaded connection should be free of any piping connection with the unit in service to allow the free flow of air and gases.** It may be piped to another location if left open, however, the risk then exists for blockages, which will impede the product's performance.

CAUTION! Do not attempt to turn the venting port, as that will damage and/or destroy the venting mechanism.


 **WARNING!** Water temperatures above 100°F can be very hazardous. Keep body away from valve while open. Failure to follow these instructions may cause serious bodily injury or property damage.

SERVICE INSTRUCTIONS

The Spirotop does not normally require maintenance and includes no moving parts other than those in the vent head itself.

 **WARNING!** System fluid under pressure can be very hazardous. Before removing the vent head for inspection, reduce system pressure to zero, or isolate the Spirotop from the system. Allow the system to cool to below 100°F. Failure to follow these instructions may cause serious bodily injury or property damage.

1. Using two strap wrenches, hold the body in place in the piping while removing the vent head, taking care not to damage the O-ring. Pipe wrenches may be used, but they can leave marks in the brass.
2. To clean the vent head, use a mild detergent and water or vinegar and water solution. For extremely dirty conditions, soak the head in mineral spirits for several hours and then clean thoroughly. The vent head is available as a replacement part if necessary. Use part number PJR000HA. Assembly includes the O-ring.
3. Examine O-ring before installing the vent head and replace if necessary. Use part number PJR000RG.
4. Reassemble the Spirotop.
5. Return system to operating condition.

 **WARNING!** Water temperatures above 100°F can be very hazardous. Keep body away from valve while open. Failure to follow these instructions may cause serious bodily injury or property damage.

SPIROTHERM
A Spiro Enterprises Company

Spirotherm, Inc.
25 N. Brandon Drive
Glendale Heights, IL 60139

630-307-2662
Fax: 630-307-3773

Website: www.spirotherm.com
E-mail: info@spirotherm.com

© 2005 Spirotherm, Inc.

TopIOM-A