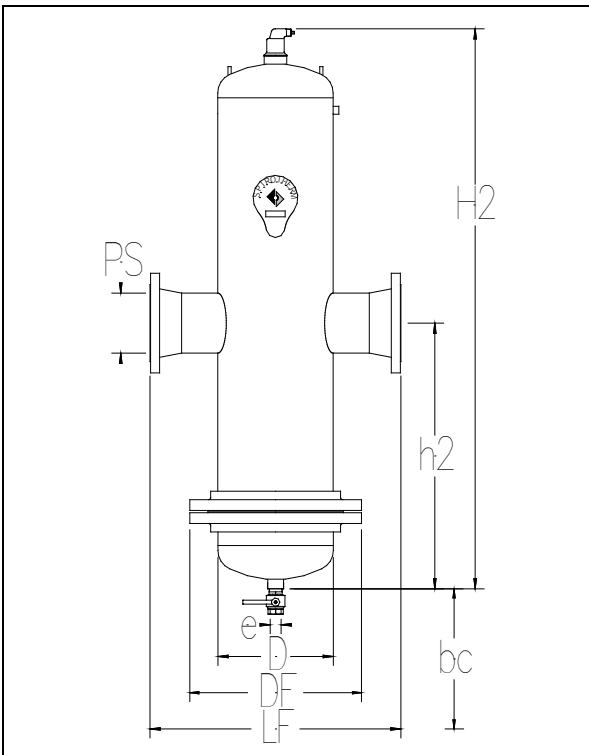


### Spirovent® Drain High Velocity Air Eliminator and Dirt Separator

Job Name:
Engineer:
Contractor:
Representative:

Tag	Model	Flow	Size	Location

	<p><b>Specifications:</b></p> <table border="1"> <tr><td>Shell</td><td>Steel</td></tr> <tr><td>Vent Head</td><td>Brass</td></tr> <tr><td>Float</td><td>Non-Ferrous</td></tr> <tr><td>Seal</td><td>Viton</td></tr> <tr><td>O Ring</td><td>Viton</td></tr> <tr><td>Skim Valve</td><td>Brass</td></tr> <tr><td>Coalescing Medium</td><td>Copper</td></tr> <tr><td>Ball Valve</td><td>Brass</td></tr> <tr><td>Max. Working Pressure</td><td>150 psig</td></tr> <tr><td>Max. Operating Temperature</td><td>270°F</td></tr> </table> <p><b>Notes:</b> Removable lower head to facilitate cleaning if required. (bc: Minimum bundle removal clearance)</p>	Shell	Steel	Vent Head	Brass	Float	Non-Ferrous	Seal	Viton	O Ring	Viton	Skim Valve	Brass	Coalescing Medium	Copper	Ball Valve	Brass	Max. Working Pressure	150 psig	Max. Operating Temperature	270°F
Shell	Steel																				
Vent Head	Brass																				
Float	Non-Ferrous																				
Seal	Viton																				
O Ring	Viton																				
Skim Valve	Brass																				
Coalescing Medium	Copper																				
Ball Valve	Brass																				
Max. Working Pressure	150 psig																				
Max. Operating Temperature	270°F																				

PS - Pipe Size	2"	2 ½"	3"	4"	5"	6"	8"	10"	12"
D (inches)	6.3	6.3	8.6	8.6	12.8	12.8	16.0	20.0	24.0
H2 (inches)	35.8	35.8	45.1	45.1	61.8	61.8	78.5	95.0	113.0
h2 (inches)	15.9	15.9	20.7	20.7	29.3	29.3	37.6	47.0	55.0
LF (inches)	15.2	15.7	20.2	20.6	27.7	27.7	33.6	37.5	42.5
DF (inches)	11	11	14	14	19	19	24	28	32
e (inches)	1	1	1	1	1	1	1	1	1
bc (inches)	22	22	30	30	43	43	55	68	80
Weight (lbs)	120	150	195	262	479	505	820	1269	2025
Max Flow (gpm)	100	150	230	400	620	900	1550	2450	3500
Model VHN---FA	200	250	300	400	500	600	800	1000	1200

(Dimensions for reference only)

Fabricated and stamped in accordance with ASME, Section VIII, Division 1 for unfired pressure vessels.