

Spirovent® Drain 36" High Velocity Air Eliminator and Dirt Separator

Job Name:
Engineer:
Contractor:
Representative:

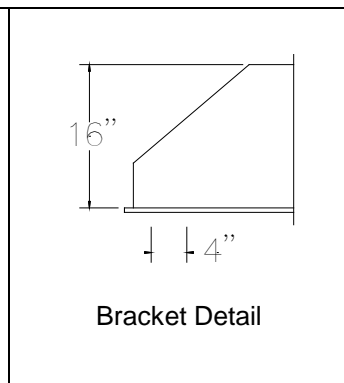
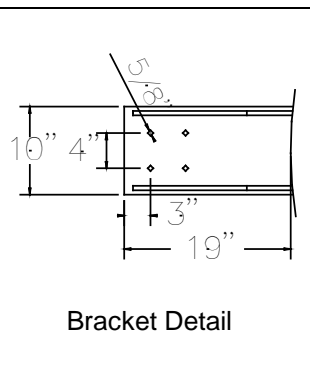
Tag	Model	Flow	Size	Location

Specifications:

Shell	Steel
Vent Head	Brass
Float	Non-Ferrous
Seal	Viton
O Ring	Viton
Skim Valve	Brass
Coalescing Medium	Copper
Ball Valve	Brass
Max. Working Pressure	150 psig
Max. Operating Temperature	270°F

Notes:
Removable lower head to facilitate cleaning if required.
(bc: Minimum bundle removal clearance)

Pipe Size	36"
D (inches)	96
H2 (inches)	204
h2 (inches)	96
LF (inches)	132
DF (inches)	114
hs (inches)	36
e (inches)	2
bc (inches)	123
Weight (lbs)	20,000
Max Flow (gpm)	29,600
Model VHN----FA	3600



(Dimensions for reference only)

Fabricated and stamped in accordance with ASME, Section VIII, Division 1 for unfired pressure vessels.