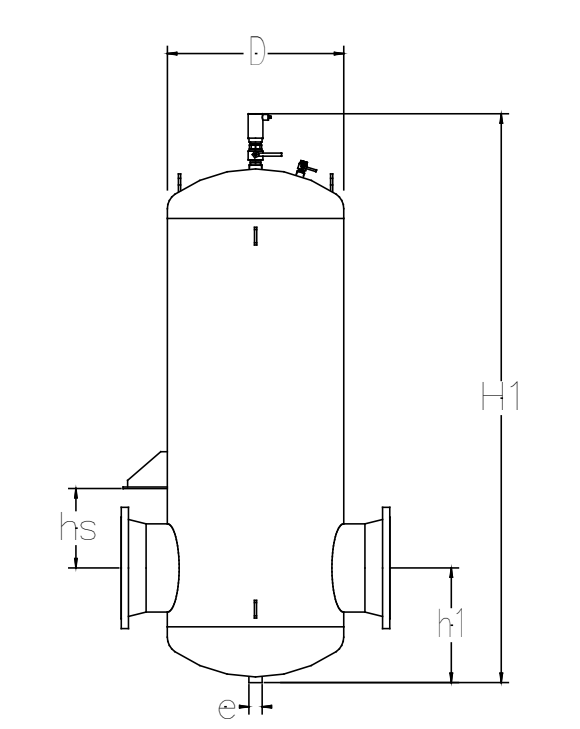


**Spirovent®
24", 30", 36" High Velocity Air Eliminator**

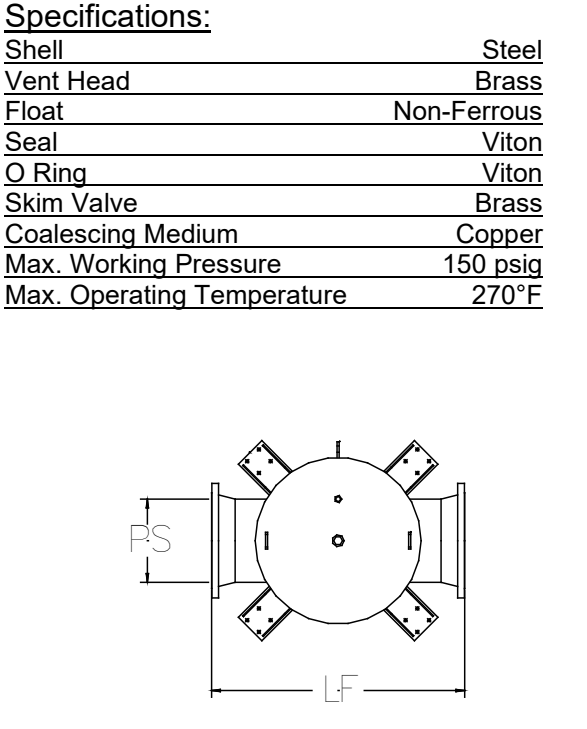
Job Name:
Engineer:
Contractor:
Representative:

Tag	Model	Flow	Size	Location

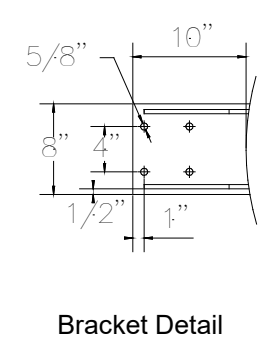


Specifications:

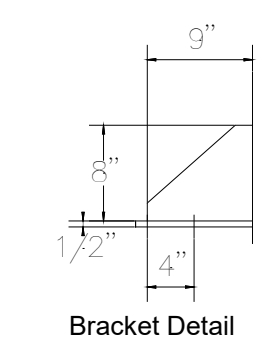
Shell	Steel
Vent Head	Brass
Float	Non-Ferrous
Seal	Viton
O Ring	Viton
Skim Valve	Brass
Coalescing Medium	Copper
Max. Working Pressure	150 psig
Max. Operating Temperature	270°F



PS - Pipe Size	24"	30"	36"
D (inches)	48	60	72
H1 (inches)	152	187	221
h1 (inches)	31	39	46
LF (inches)	72	85.2	102.8
hs (inches)	26	30	36
e (inches)	2	2	2
Dry Weight (lbs)	5,490	9,470	15,140
Volume (gallons)	1,000	1,960	3,400
Max. Flow (gpm)	12,500	20,200	29,600
Model			
VHR----FA	2400	3000	3600



Bracket Detail



Bracket Detail

Flanged ASME Section VIII, Division 1 Stamped and Registered