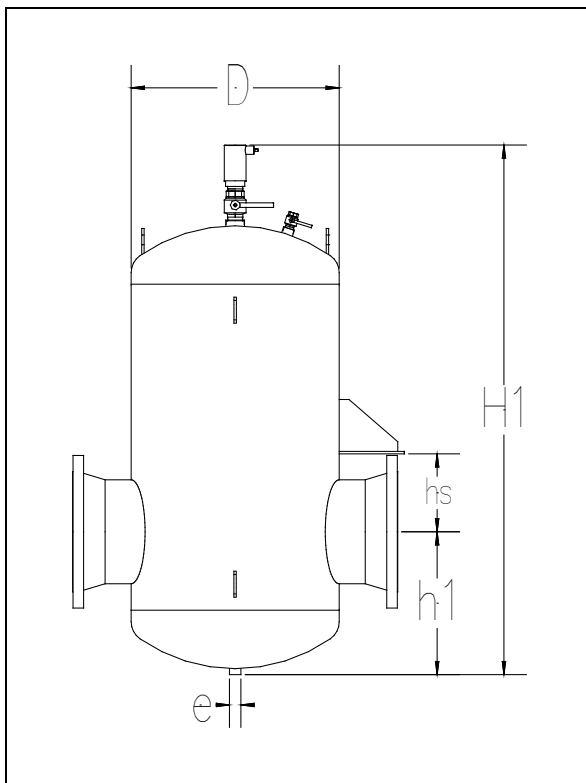


Spirovent® 24", 30", 36" Air Eliminator

Job Name:
Engineer:
Contractor:
Representative:

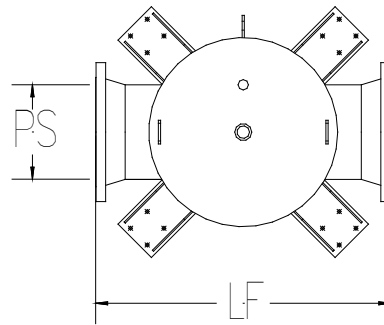
Tag	Model	Flow	Size	Location



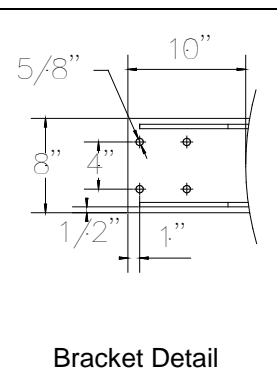
Specifications:

Shell	Steel
Vent Head	Brass
Float	Non-Ferrous
Seal	Viton
O Ring	Viton
Skim Valve	Brass
Coalescing Medium	Copper
Max. Working Pressure	150 psig
Max. Operating Temperature	270°F

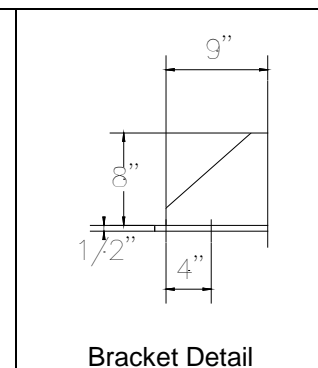
Fabricated and stamped in accordance with ASME, Section VIII, Division 1.



PS - Pipe Size	24"	30"	36"
D	48"	60"	72"
H1	116"	142"	167"
h1	31"	39"	46"
LF	72"	85.2"	102.8"
hs	26"	30"	36"
e	2"	2"	2"
Weight (lbs)	4140	7050	11,190
Rec. GPM	7500	12,100	17,400
Model			
VSR----FA*	2400	3000	3600



Bracket Detail



Bracket Detail