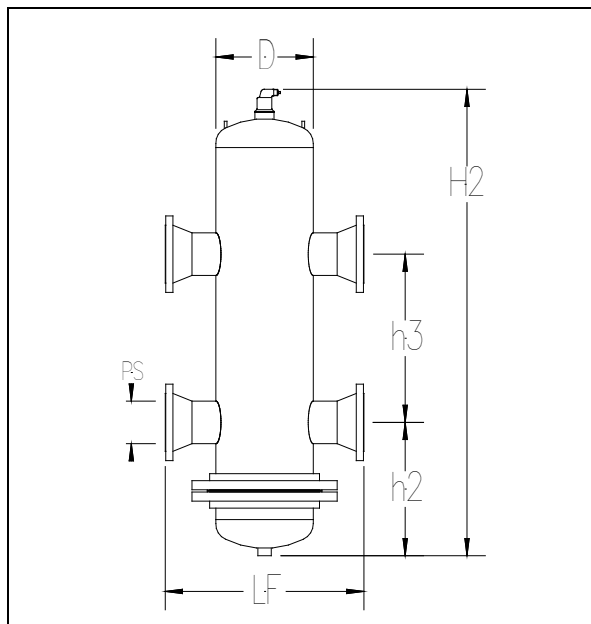


### Spirovent Quad® Air Eliminator, Dirt Separator, Hydraulic Separator, Low Loss Header with Removable Head

Job Name:
Engineer:
Contractor:
Representative:

Tag	Model	Flow	Size	Location



**Specifications:**

Body	Steel
Vent Head	Brass
Float	Non-Ferrous
Seal	Viton
O Ring	Viton
Coalescing Medium	Copper
Max. Working Pressure	150 psig
Max. Operating Temperature	270°F

**Notes:**  
Removable lower head to facilitate cleaning as required.

Model	Unit	VXN200	VXN250	VXN300	VXN400	VXN500	VXN600	VXN800	VXN1000	VXN1200
Pipe Size	inch	2	2 1/2	3	4	5	6	8	10	12
D	inch	6.6	6.6	8.6	8.6	12.8	12.8	16.0	20.0	24.0
H2	inch	32.0	36.0	39.0	50.0	61.0	70.0	91.0	113.0	133.0
h2	inch	9.4	9.9	10.6	13.8	17.4	19.9	26.6	32.9	39.2
h3	inch	9.5	12.0	14.0	18.0	22.0	26.0	34.0	42.0	50.0
LF	inch	15.0	15.0	20.0	20.0	26.0	26.0	32.0	36.0	42.0
Blow Down	inch	1	1	1	1	1	1	1	1	1
FA* Weight	Lbs.	142	160	242	281	433	518	848	1380	2127
Rec. Flow	GPM	60	90	140	240	370	540	940	1470	2090

\*Flanged "FA" Models Fabricated and Stamped in accordance with ASME, Section VIII, Division 1