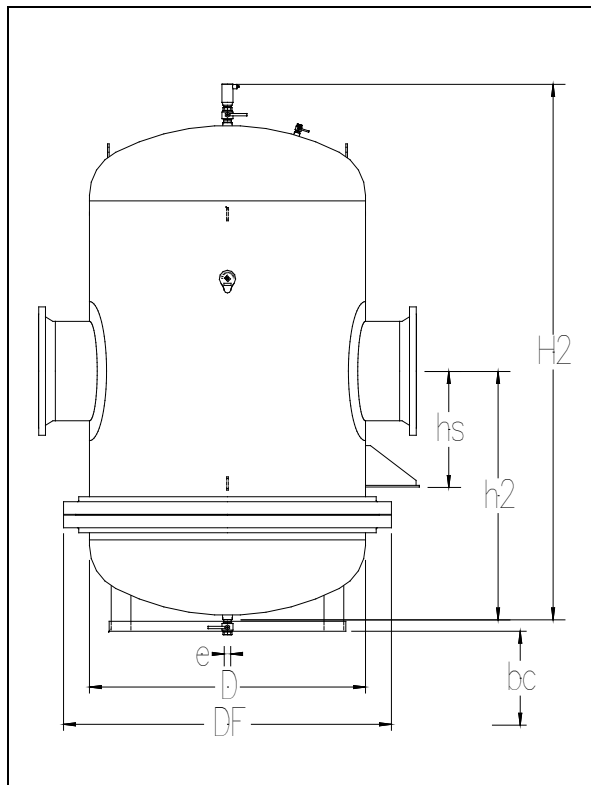


Spirovent® Drain 30", 36" Air Eliminator and Dirt Separator

Job Name:
Engineer:
Contractor:
Representative:

Tag	Model	Flow	Size	Location

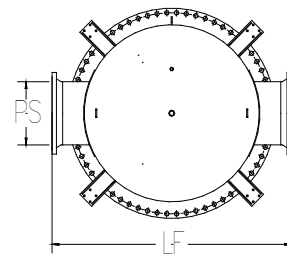


Specifications:

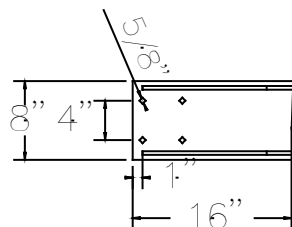
Shell	Steel
Vent Head	Brass
Float	Non-Ferrous
Seal	Viton
O Ring	Viton
Skim Valve	Brass
Coalescing Medium	Copper
Ball Valve	Brass
Max. Working Pressure	150 psig
Max. Operating Temperature	270°F

Notes:

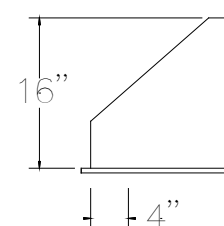
Removable lower head to facilitate cleaning if required.
(bc: Minimum bundle removal clearance)



Pipe Size	30"	36"
D (inches)	60	72
H2 (inches)	194	230
h2 (inches)	91	109
LF (inches)	86	103
DF (inches)	73	87
hs (inches)	30	36
e (inches)	2	2
bc (inches)	134	153
Weight (lbs)	12,220	19,200
Rec. Flow (gpm)	12,100	17,400
Model VDN----FA	3000	3600



Bracket Detail



Bracket Detail

(Dimensions for reference only)

Fabricated and stamped in accordance with ASME, Section VIII, Division 1 for unfired pressure vessels.