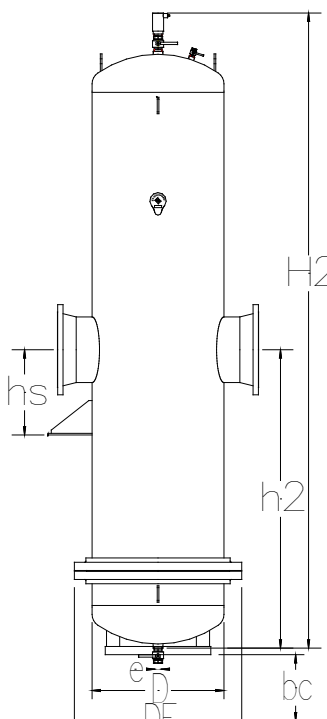


Spirovent® Drain

14", 16", 18", 20" High Velocity Air Eliminator and Dirt Separator

Job Name:
Engineer:
Contractor:
Representative:

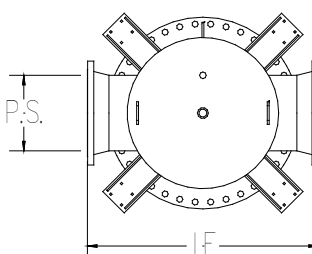
Tag	Model	Flow	Size	Location



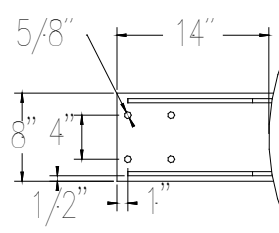
Specifications:

Shell	Steel
Vent Head	Brass
Float	Non-Ferrous
Seal	Viton
O Ring	Viton
Skim Valve	Brass
Coalescing Medium	Copper
Ball Valve	Brass
Max. Working Pressure	150 psig
Max. Operating Temperature	270°F

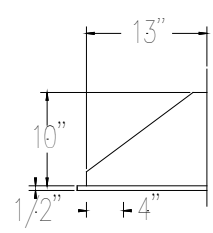
Notes:
Removable lower head to facilitate cleaning if required.
(bc: Minimum bundle removal clearance)



Pipe Size	14"	16"	18"	20"
D (inches)	28	32	36	48
H2 (inches)	140	158	176	142
h2 (inches)	64	73	82	65
LF (inches)	45	50	56	72
DF (inches)	37	42	46	51
hs (inches)	20	22	22	26
e (inches)	2	2	2	2
bc (inches)	98	119	127	96
Weight (lbs)	2400	3280	4320	7500
Max Flow (gpm)	4300	5500	6950	8650
Model VHN----FA	1400	1600	1800	2000



Bracket Detail



Bracket Detail

(Dimensions for reference only)

Fabricated and stamped in accordance with ASME, Section VIII, Division 1 for unfired pressure vessels.