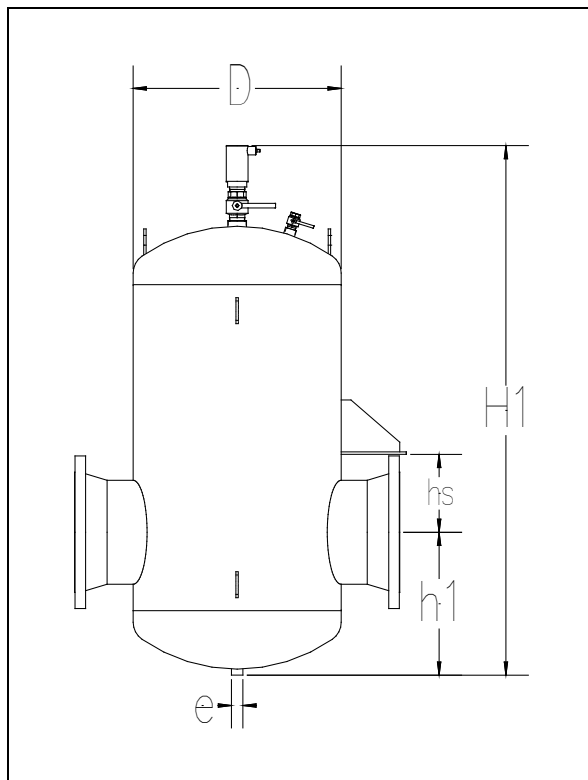


### Spirovent® 14", 16", 18", 20" Air Eliminator

Job Name:
Engineer:
Contractor:
Representative:

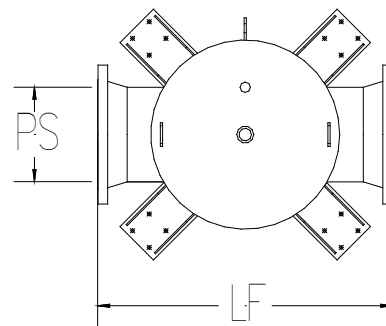
Tag	Model	Flow	Size	Location



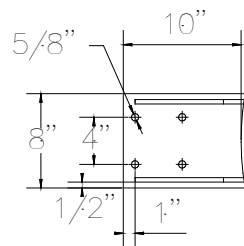
#### Specifications:

Shell	Steel
Vent Head	Brass
Float	Non-Ferrous
Seal	Viton
O Ring	Viton
Skim Valve	Brass
Coalescing Medium	Copper
Max. Working Pressure	150 psig
Max. Operating Temperature	270°F

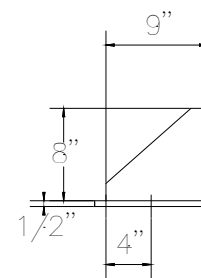
Fabricated and stamped in accordance with ASME, Section VIII, Division 1.



PS - Pipe Size	14"	16"	18"	20"
D	28	32	36	40
H1	74	82	91	99
h1	19	21	24	26
LF	45	50	56	61.4
hs	20"	22"	22"	26"
e	2	2	2	2
Weight (lbs)	990	1340	1750	2650
Rec. GPM	2530	3300	4180	5200
Model				
VSR----FA*	1400	1600	1800	2000



Bracket Detail



Bracket Detail