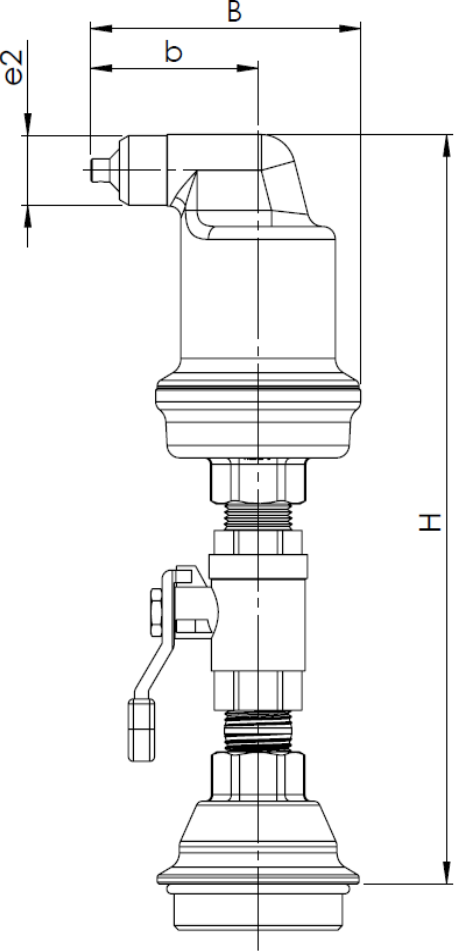


Spirovent® Vent head Valve Kit

Job Name:
Engineer:
Contractor:
Representative:

Tag	Model	Flow	Size	Location



The drawing shows a side view of the valve assembly. Dimension 'e2' is the height of the top connection. Dimension 'b' is the width of the top flange. Dimension 'B' is the total width of the top section. Dimension 'H' is the total height of the valve assembly.

**Specifications:**

Vent Head	Brass
Float	Non-Ferrous
Seal	Viton
Ball Valve	Brass
Adapter	Brass
Max. Working Pressure	150 psig
Max. Operating Temperature	270°F

**Notes:**

Dimensions		
H	(inches)	9
b	(inches)	2
B	(inches)	3.5
e2		½" male thread
Bottom Connection		Spirovent